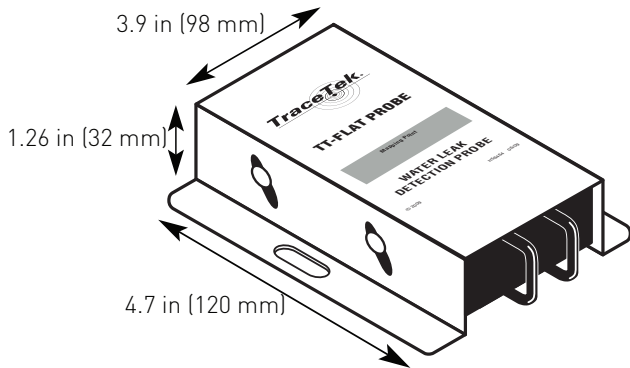


# **TraceTek** TT-FLAT-PROBE

## WATER LEAK DETECTION PROBE



### **PRODUCT OVERVIEW**

The TT-FLAT PROBE is a special purpose probe designed to detect water leaks in specific locations. It is intended to be floor or tray mounted, using either screw or adhesive attachment. The unit has an orange color to promote visibility in the installed location.

The TT-FLAT PROBE can detect water leaks in low spots, drip trays or sumps, where TraceTek® sensing cables are inappropriate. The TT-FLAT PROBE is designed to be integrated as a part of a larger TraceTek leak detection system.

When mounted on a metal surface (e.g. a drip pan) and with sensor tip height adjusted very close to floor surface, minimum water depths of approximately 0.2 in (5 mm) may be required for leak detection. If the TT-FLAT PROBE is mounted on an insulating surface, minimum water depths of approximately 0.5 in (12.7 mm) may be required for leak detection.

The TT-FLAT PROBE can be interconnected with jumper cable to other TT-FLAT PROBE or TraceTek sensing cable segments, and be monitored by a TraceTek TTDM-128 or TT-SIM module.

### **Simple and easy to use**

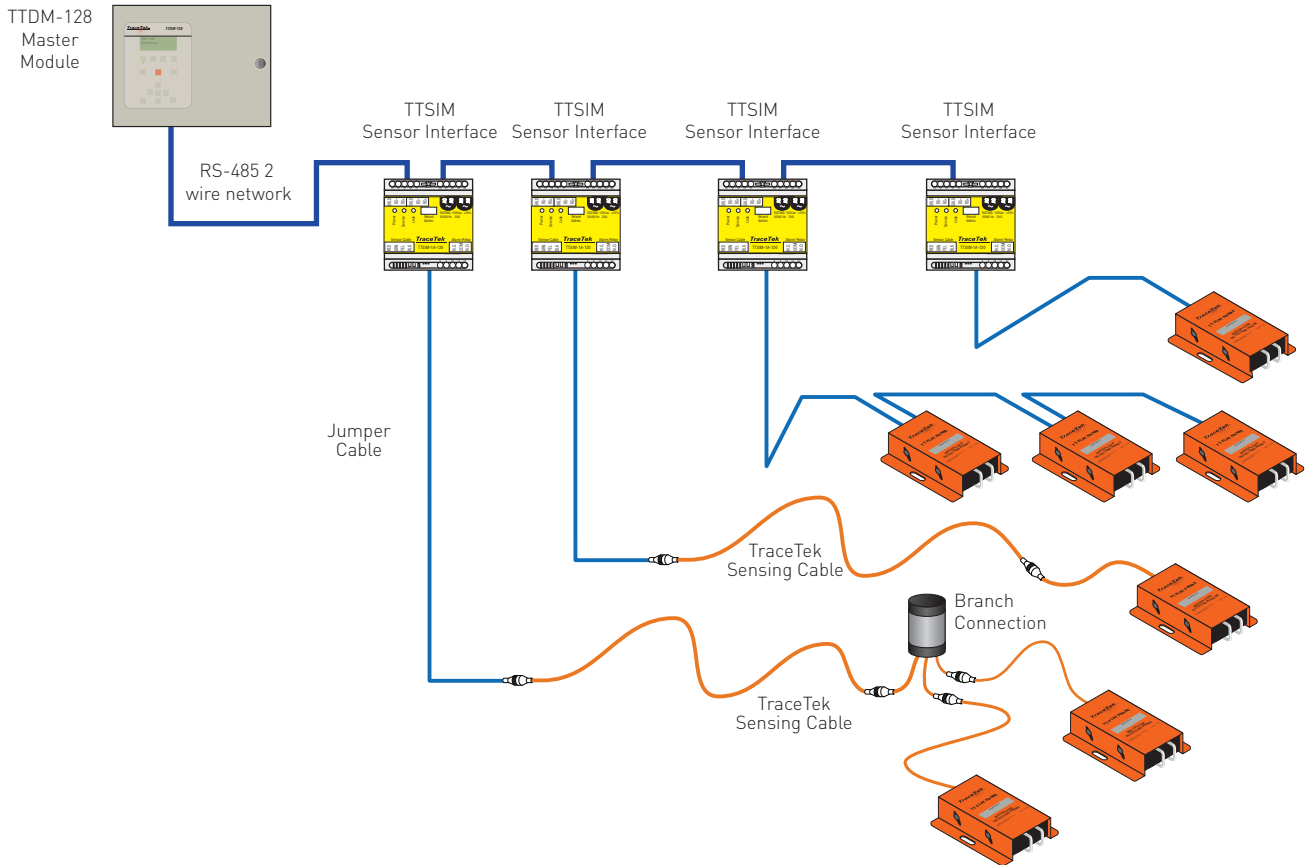
The TT-FLAT PROBE is compatible with all TraceTek 1000 system components.

Leak detection system design is very flexible with the TT-FLAT PROBE and TraceTek leak detection cable.

The illustration below shows several possible leak detection circuits constructed from the TT-FLAT PROBE and TraceTek leak detection cable being monitored by a TraceTek TTDM-128 and TTSIM modules.

# TT-FLAT PROBE

## POTENTIAL CONFIGURATION EXAMPLE



## ORDERING INFORMATION

Catalog number	P/N	Description
TT-FLAT PROBE	P000001074	Water leak detection probe

## PRODUCT CHARACTERISTICS

Dimensions	4.7 in L x 3.8 in W x 1.3 in H (120 mm L x 98 mm W x 32 mm H)
Weight	0.4 lb nominal
Shroud	Epoxy coated aluminum, orange
Probes	316 Stainless steel
Probe height above mounting surface	Adjustable
Housing	Black PVC
Maximum ambient temperature	122°F (50°C)
Minimum ambient temperature	32°F (0°C)
Connections	4-wire TraceTek jumper cable to terminal strip
Minimum water depth to trigger leak	0.2 in (5 mm) on metal surface*
Minimum water depth to trigger leak	0.5 in (12.7 mm) on insulating surface*

\* With sensor tip height close to mounting surface but not touching



[WWW.THERMAL.PENTAIR.COM](http://WWW.THERMAL.PENTAIR.COM)

**NORTH AMERICA**

Tel: +1.800.545.6258  
Fax: +1.800.527.5703  
Tel: +1.650.216.1526  
Fax: +1.650.474.7215  
[thermal.info@pentair.com](mailto:thermal.info@pentair.com)

**EUROPE, MIDDLE EAST, AFRICA**

Tel: +32.16.213.511  
Fax: +32.16.213.603  
[thermal.info@pentair.com](mailto:thermal.info@pentair.com)

**ASIA PACIFIC**

Tel: +86.21.2412.1688  
Fax: +86.21.5426.2917  
[cn.thermal.info@pentair.com](mailto:cn.thermal.info@pentair.com)

**LATIN AMERICA**

Tel: +55.11.2588.1400  
Fax: +55.11.2588.1410  
[thermal.info@pentair.com](mailto:thermal.info@pentair.com)

Pentair and TraceTek are owned by Pentair or its global affiliates. All other trademarks are the property of their respective owners. Pentair reserves the right to change specifications without prior notice.

© 2009–2013 Pentair.

**THERMAL MANAGEMENT SOLUTIONS** | **Distributed By**



Tel: (852) 2488 2370 Fax: (852) 2414 9213